

Pool Surrounding Equipment

DURABLE FOR ALL WEATHER CONDITIONS

Resistant to pool chemicals and sunlight



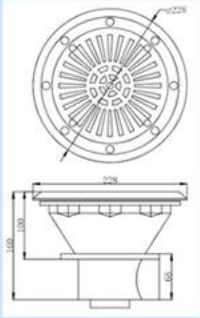
Material

*Reinforced ABS for strength
and longevity of use*



Pool & Spa Equipment

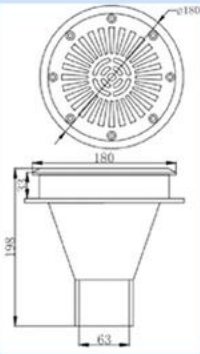
Main Drain



2 inch external teeth

Model	Product name	Color	Materials	Packgae (cm)	PC/CARTON	Weight
2850V	Main drain	White	ABS+PVC	54.3×48.5×48.8cm	12	13.48kg

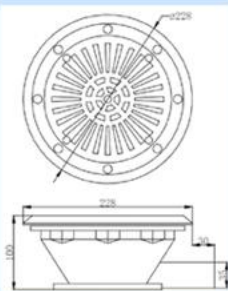
Main Drain



2 inch metric PVC pipe inside

Model	Product name	Color	Materials	Packgae (cm)	PC/CARTON	Weight
2851V	Main drain	White	ABS+PVC	62×44×45cm	12	12kg

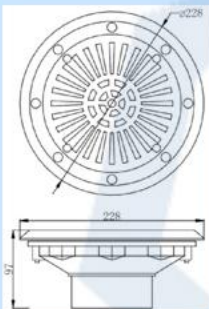
Aight- in-bottom



2 inch metric PVC pipe inside

Model	Product name	Color	Materials	Packgae (cm)	PC/CARTON	Weight
2852V	aight-in bottom	White	ABS+PVC	53×49×57cm	20	20kg

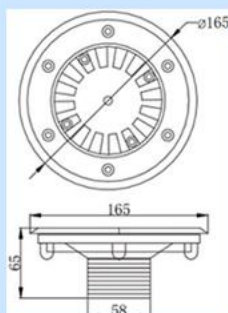
Main Drain



Straight plug 4 inch metric PVC pipe

Model	Product name	Color	Materials	Packgae (cm)	PC/CARTON	Weight
2853V	Main drain	White	ABS+PVC	49×48×56cm	20	16.2kg

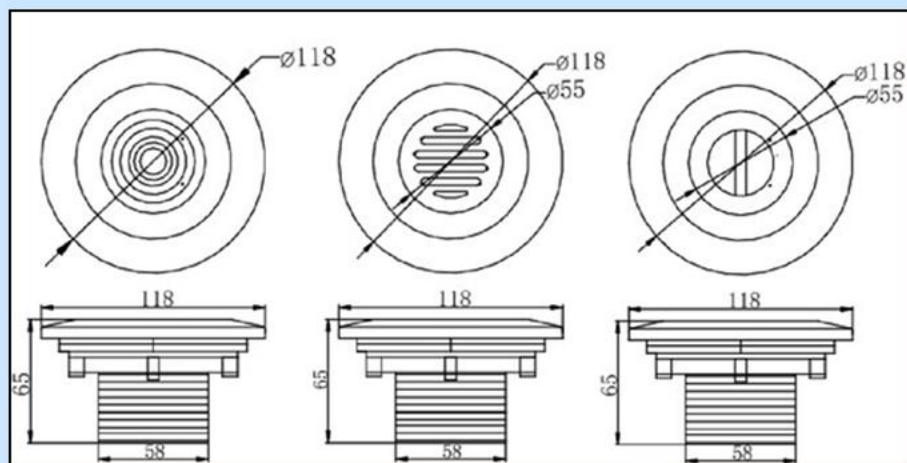
Backwater outlet



1.5 inch metric universal (external 2 inch inner teeth)

Model	Product name	Color	Materials	Packgae (cm)	PC/CARTON	Weight
2825V	Backwater outlet	White	ABS+PVC	50.5×41×29.5cm	48	18.92kg

Backwater outlet



1.5 inch metric universal
(external 2 inch inner teeth)



Sealing Cap



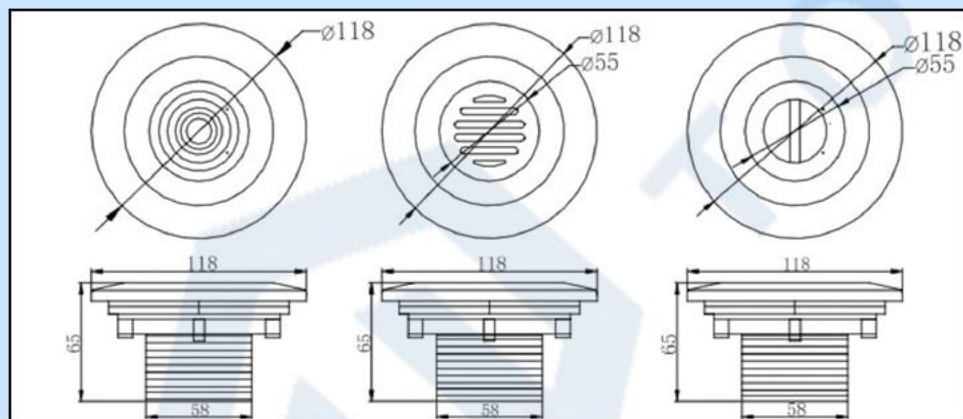
Nozzle



Strainer cover

Model	Product name	Color	Materials	Packgae (cm)	PC/CARTON	Weight
1006V	Backwater outlet	White	ABS+PVC	42×42×25cm	48	16.44kg

Backwater outlet



1.5 inch metric universal
(external 2 inch inner teeth)



Sealing Cap



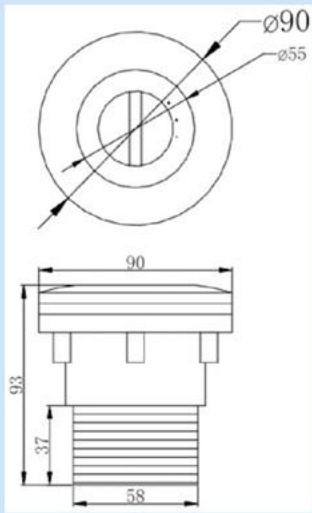
Nozzle



Strainer cover

Model	Product name	Color	Materials	Packgae (cm)	PC/CARTON	Weight
1005V	Backwater outlet	White	ABS+PVC	40×30×28cm	48	16.44kg

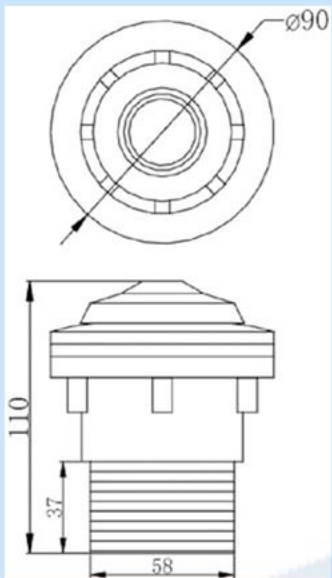
Suction port



1.5 inch metric universal
(external 2 inch inner teeth)

Model	Product name	Color	Materials	Packgae (cm)	PC/CARTON	Weight
2827V	Suction port	White	ABS+PVC	45×36×30cm	60	12.7kg

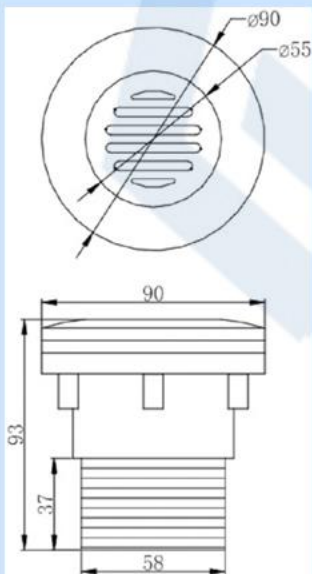
Nozzle



1.5 inch metric universal
(external 2 inch inner teeth)

Model	Product name	Color	Materials	Packgae (cm)	PC/CARTON	Weight
2828V	Nozzle	White	ABS+PVC	45×36×35cm	60	13.96kg

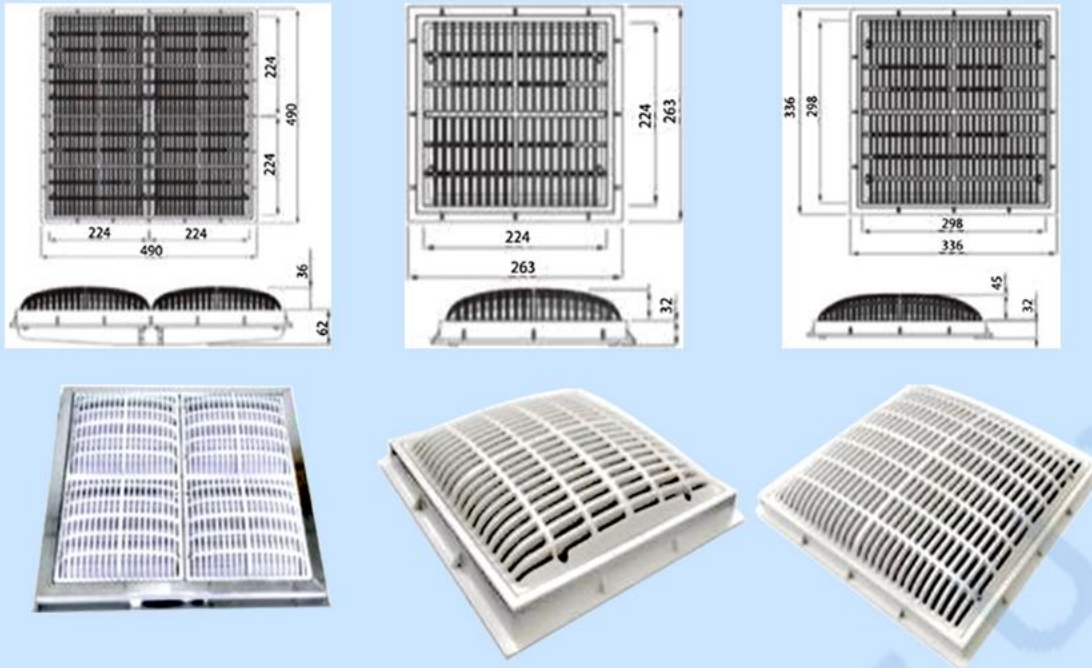
Wall backwater



1.5 inch metric universal
(external 2 inch inner teeth)

Model	Product name	Color	Materials	Packgae (cm)	PC/CARTON	Weight
2829V	Wall backwater	White	ABS+PVC	45×36×30cm	60	12.06kg

In-line water inlet and outlet



Model	Size(mm)	Thickness	Materials	Color	Rated flow(m ³ /h)	Package(cm)	PC/CARTON	Weight(kg)
WL-FDP-9"	9"×9"	70	EngineeringABS+UV	White	23	59×30×85	20	24
	263mm×336mm							
WL-FDP-12"	12"×12"	78	EngineeringABS+UV	White	36	73.5×36×46.5	10	19
	336mm×336mm							
WL-FDP-18"	18"×18"	100	Stainless steel+ABS	White	93	500×500	1	6.5
	500mm×500mm							

In-line water inlet and outlet



	Product name	Outside diameter of product	Piping specifications	Quantity(PC)	PC/CARTON	Weight(kg)
Metric system (GB)	The New 1.2" Metric In-Line Adjustable Inlet and Outlet	φ36mm	Outer diameter φ40mm-1.0mpaPVC pipe	100	46.5×46×31.6cm	7.62kg
	The New 1.5" Metric In-Line Adjustable Inlet and Outlet	φ45mm	Outer diameter φ50mm-1.0mpaPVC pipe	100	45×36×31.5cm	10.3kg
	The New 2" Metric In-Line Adjustable Inlet and Outlet	φ57mm	Outer diameter φ63mm-1.0mpaPVC pipe	100	45×36×31.5cm	11.26kg
	The New 2.5" Metric In-Line Adjustable Inlet and Outlet	φ66.8mm	Outer diameter φ75mm-1.0mpaPVC pipe	100	55×44×31cm	14.6kg
	The New 3" Metric In-Line Adjustable Inlet and Outlet	φ80.9mm	Outer diameter φ90mm-1.0mpaPVC pipe	60	59.5×38×25cm	11.1kg
	The New 4" Metric In-Line Adjustable Inlet and Outlet	φ100.7mm	Outer diameter φ110mm-1.0mpaPVC pipe	60	58×44×31cm	15.76kg
English system (BS)	The New 1.5" Inch In-Line Adjustable Inlet and Outlet	φ43mm	Outer diameter φ48mm-D grade 1.5"mpa PVC pipe	100	45×36×31.5cm	10.6kg
	The New 2" Inch In-Line Adjustable Inlet and Outlet	φ54mm	Outer diameter φ60mm-D grade 2"mpa PVC pipe	100	45×36×31.5cm	10.78kg
	The New 2.5" Inch In-Line Adjustable Inlet and Outlet	φ68mm	Outer diameter φ75mm-C grade 2.5"mpa PVC pipe	100	55×43×31cm	14.8kg
	The New 3" Inch In-Line Adjustable Inlet and Outlet	φ80mm	Outer diameter φ88.5mm-C grade 3"mpa PVC pipe	60	59.5×38×25cm	11.54kg
	The New 4" Inch In-Line Adjustable Inlet and Outlet	φ104.6mm	Outer diameter φ114mm-C grade 4"mpa PVC pipe	60	58×44×31cm	15.7kg

In-line Overflow



Model	Size	Color	Material	Package(am)	PC/CARTON	Weight(kg)
SP-1019 In-line Overflow	1.5"Metric	White	ABS	45.5×36×29	100	7.44
	2"Metric	White	ABS	45.5×36×29	100	9.26
	2.5"Metric	White	ABS	59×44.5×31.5	100	13.54
	3"Metric	White	ABS	46×45.5×35.5	80	12.4

In-line nozzle



Model	Description	Color	Material
SP-1022	In-line nozzle	White	ABS
D			
	1½"		2"
Metric	φ 45	Metric	φ 57
Weight	7.28 kg	Weight	9.18kg

Size:45.5×36×29cm(100PCS/SET)

In-line nozzle



Model	Description	Color	Material
SP-1034	In-line nozzle	White	ABS
D			
	1½"		2"
Metric	φ 45	Metric	φ 57
Weight	7.54kg	Weight	9.86kg

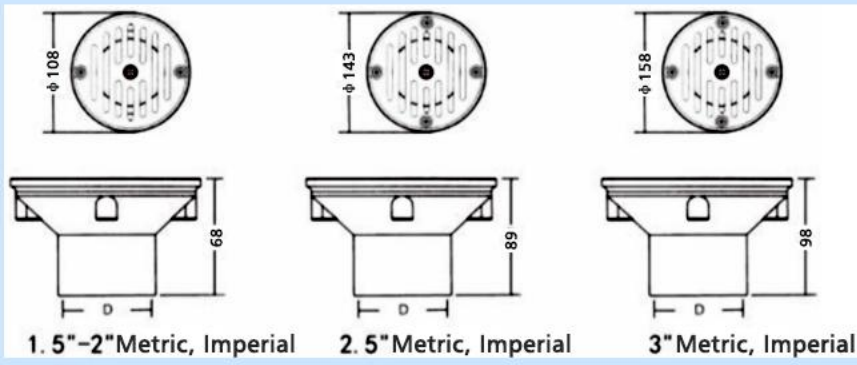
Size:45.5×36×29cm(100PCS/SET)

Inlet and Outlet



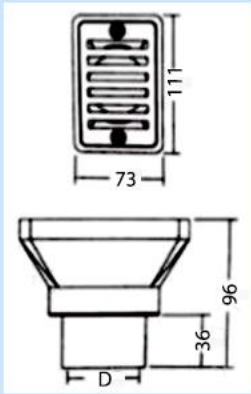
Model	Size	Color	Package	PC/CARTON	Weight
SP-1425	1.5"Metric	White	53×42×38cm	100	14.7
SP-1425	2"Metric	White	53×42×38cm	100	16.4

Water inlet and outlet



		D									
		1 1/2"		2"		2.5"		3"			
Metric	φ50	Weight	15.4kg	Metric	φ50	Weight	15.9kg	Metric	φ75	Metric	φ90
Imperial	φ48	Weight	15.5kg	Imperial	φ48	Weight	15.6kg	Weight	15.6kg	Weight	14.6kg
Size	53×43×38cm (100PCS/set)						53×43×38cm (100PCS/set)				

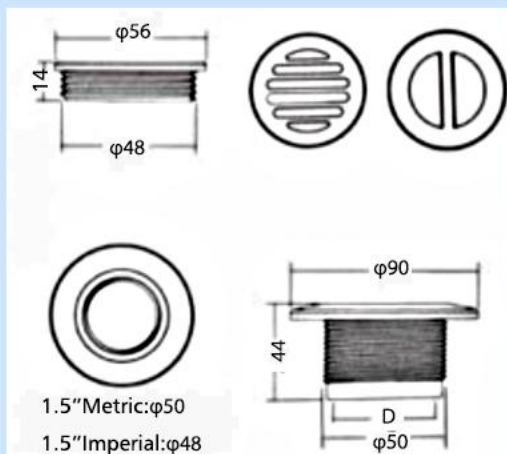
Overflow



1.5" metric, 2" metric, imperial

		D			
		1 1/2"		2"	
Metric	φ50	Metric	φ63	Weight	16kg
Weight	16.8kg	Imperial	φ60	Weight	15.1kg

Clean Mouth



1.5 metric imperial



Sealing Cap Grate Cover

Model	Description	Color	Material	Model	Description	Color	Weight (kg)
SP-1022	Clean Mouth	White	ABS	SP-1022-1	Clean Mouth-Sealing Cap	White	7.4kg
				SP-1022-2	Clean Mouth-Grate Cover	White	8.8kg

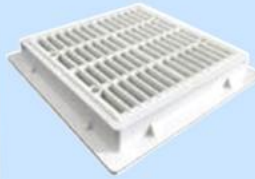
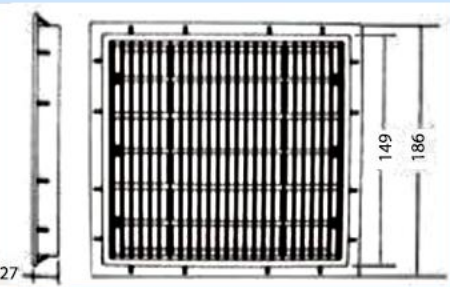
Main Drain



Model	Description	Color	Materials	Weight
SP-1030	Main drain	White	ABS	13.8kg

Size: 52 × 37 × 27 cm (50 PCS/SET)

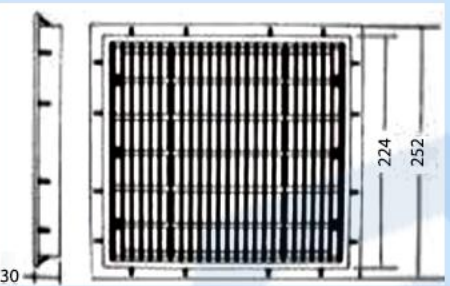
Main Row Grill



Model	Description	Specification	Color	Materials	Weight
SP-1029	Main row grill	16.2 × 16.2 cm	White	ABS	15.66kg

Size: 41 × 36 × 41 cm (40 PCS/SET)

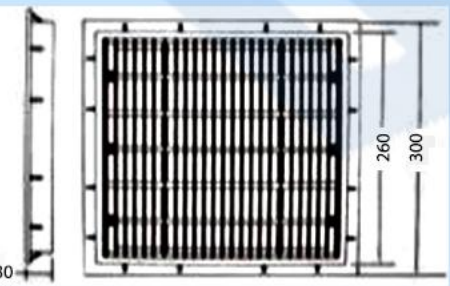
Main Row Grill



Model	Description	Color	Materials	Weight
SP-1031	Main row grill	White	ABS	15.4kg

Size: 52.8 × 41.2 × 27.6 cm (20 PCS/SET)

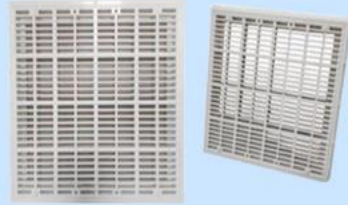
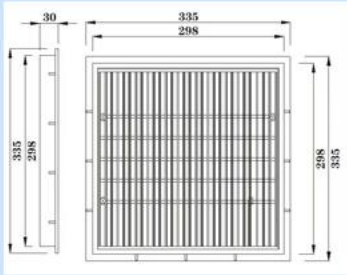
Main Row Grill



Model	Description	Color	Materials	Weight
SP-1032	Main row grill	White	ABS	18.3kg

Size: 63 × 41 × 33 cm (20 PCS/SET)

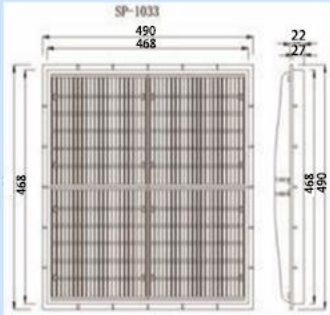
Main row grill SP-1032 L



Size:70×36×40.5cm(20PCS/SET)

Model	Description	Specification	Color	Materials	Weight
SP-1032 L	Main row grill	335×335cm	White	ABS	31kg

Main row grill SP-1033

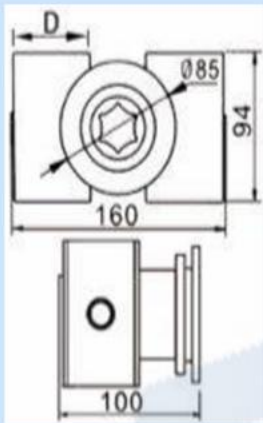


Size:76×51.5×52.5cm(10PCS/SET)

Model	Description	Specification	Color	Materials	Weight
SP-1033	Main row grill	490×490cm	White	ABS	35kg

Massage Nozzle SP-1434

Size:45×36×32cm(25PCS/SET)



Model	Description	Color	Materials
SP-1434	Massage Nozzle	White	ABS

D			
1½"			
Metric	Φ50	Weight	9.72kg
Imperial	Φ48	Weight	9.72kg

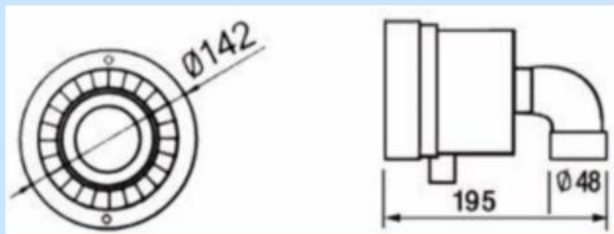
In-line massage nozzle SP-1439



1.5" Metric, Imperial Universal

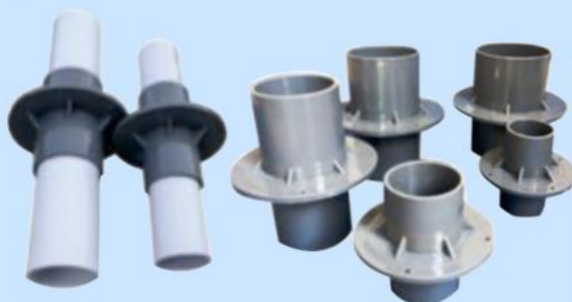
Model	Description	Color	Material	Size	PC/CARTON	Weight(kg)
SP-1439	In-line massage nozzle	White	ABS	46×32×25	48	12kg

Torrent Nozzle



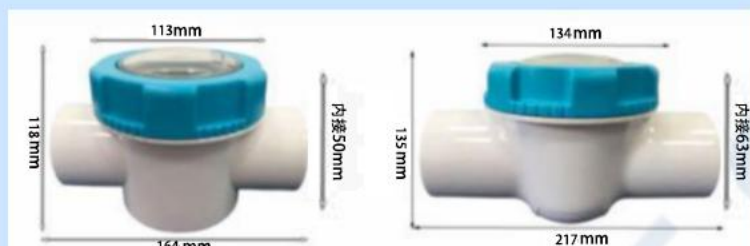
Model	Description	Specification	Size	PC/CARTON	Weight (kg)
SP-1450T	Torrent Nozzle	1.5" Metric Imperial Universal	81×34×40cm	20	12.6kg

Pre-buried pipe fittings for civil engineering pools



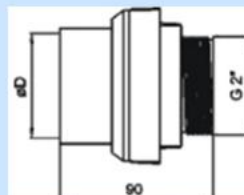
Description	Specification	Size	PC/CARTON	Weight (kg)
Pre-buried pipe fittings for civil engineering pools	1.5"	67×53×48cm	80	13kg
	2"	67×53×48cm	80	15kg
	2.5"	62×47×38cm	24	9.8kg
	3"	45.5×45×54cm	27	11.16kg
	4"	50.5×50×54cm	27	13.68kg

Check Valve



Description	Specification	Size	PC/CARTON	Weight (kg)
Check Valve	1.5"	50×36×50.5cm	32	14kg
Check Valve	2"	46×45×45cm	18	11.6kg

Connector



Specification	Size
1.5"	D=60mm
2"	D=48mm

Specification	Size
2" Metric	D=63mm
2" Imperial	D=30mm