

Sand Filter

S Series

SS Series

WIDEST CHOICES FOR DIFFERENT POOL SIZES

For residential and semi-commercial pools



Swimming Pool Sand Filter

Max Operating Pressure
36psi (2.5bar)

Max Temperature
43°C (109°F)

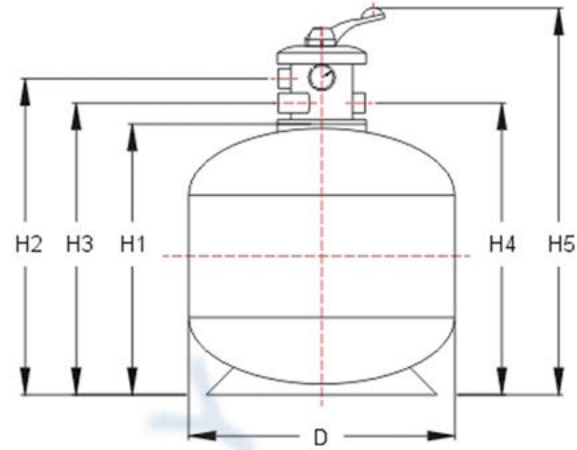
Suggested Size of Media
sand 0.6-1.2mm



Pool & Spa Equipment

Product Dimension:

Item Number	H1 (mm)	H2 (mm)	H3 (mm)	H4 (mm)	H5 (mm)
S 400	425	539	475	475	680
S 450	485	599	535	535	740
S 525	610	724	660	660	865
S 600	620	744	680	680	885
S 650	695	809	745	745	950
S 700	715	829	765	765	970
S 750	765	903	829	829	1080
S 800	815	953	879	879	1130
S 900	900	1038	964	964	1215
S 1050	1065	1203	1129	1129	1380
S 1200	1200	1338	1264	1264	1515



Technical Information:

	Item Number	Size (inches)	Diameter ϕ (mm)	Inlet/Outlet (Inch)	Flow (m ³ /h)	Filtration area (m ²)	Sand Weight (kg)	Package (mm) L*W*H	NW (kg)	GW (kg)
	PERFORMANCE DATA & MEDIA REQUIRED	S 400	16"	400	1.5"	8	0.13	35	420*420*510	8.2
	S 450	18"	450	1.5"	10	0.16	50	470*470*580	8.8	11.8
	S 525	21"	525	1.5"	12	0.19	65	550*550*680	12.5	16.5
	S 600	24"	600	1.5"	14	0.22	115	628*628*710	15.2	19.7
	S 650	26"	650	1.5"	17	0.32	145	680*680*770	18.2	23.7
	S 700	28"	700	1.5"	19	0.35	180	720*720*780	21	26.5
	S 750	30"	750	2.0"	21	0.40	225	780*780*830	23.8	30.8
	S 800	32"	800	2.0"	24	0.50	275	820*820*860	28.5	36
	S 900	36"	900	2.0"	30	0.64	390	920*920*1050	39	48.5
	S 1050	42"	1050	2.0"	38	0.88	615	1055*1055*1150	53.3	58.8
	S 1200	48"	1200	2.0"	42	0.13	920	1215*1215*1280	59.8	65.4



1.5" 8 way multiport valve, 2" 6 way multiport valve with sight glass and pressure gauge for optimum filter control

Robust A.B.S. barrel unions for easy installation and maintenance

Cylindrical shape provides the most efficient filtration operation

Long life UV stabilised, filament wound fibreglass tank

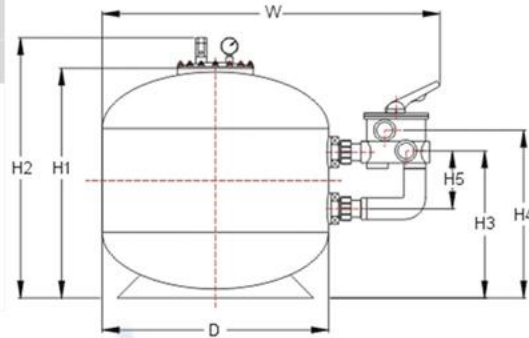
Large media area means better filtration with high efficiency

Large surface area lateral under drain for high flow and efficient backwashing



Product Dimension:

Item	H1	H2	H3	H4	H5	W
Number	(mm)	(mm)	(mm)	(mm)	(mm)	(mm)
SS 525	610	720	410	475	150	885
SS 600	620	730	430	495	150	960
SS 650	695	805	450	515	150	1010
SS 700	715	825	470	535	150	1060
SS 750	765	875	540	615	200	1140
SS 800	815	925	550	625	200	1190
SS 900	900	1010	620	695	200	1290
SS 1050	1065	1175	700	775	200	1440
SS 1200	1200	1310	780	855	200	1590



Technical Information:

	Item	Size	Diameter Φ	Inlet/Outlet	Flow	Filtration	Sand Weight	Package (mm)	NW	GW
	Number	(inches)	D (mm)	(Inch)	(m ³ /h)	area (m ²)	(kg)	L*W*H	(kg)	(kg)
	SS 525	21"	525	1.5"	12	0.19	65	550*550*680	12.5	16.5
	SS 600	24"	600	1.5"	14	0.22	115	628*628*710	15.2	19.7
PERFORMANCE	SS 650	26"	650	1.5"	17	0.32	145	680*680*770	18.2	23.7
DATA & MEDIA	SS 700	28"	700	1.5"	19	0.35	180	720*720*780	21	26.5
REQUIRED	SS 750	30"	750	2.0"	21	0.40	225	780*780*830	23.8	30.8
	SS 800	32"	800	2.0"	24	0.50	275	820*820*860	28.5	36
	SS 900	36"	900	2.0"	30	0.64	390	920*920*1050	39	48.5
	SS 1050	42"	1050	2.0"	38	0.88	615	1055*1055*1150	53.3	58.8
	SS 1200	48"	1200	2.0"	42	0.13	920	1215*1215*1280	59.8	65.4



- 1.5" 8 way multiport valve, 2" 6 way multiport valve with sight glass and pressure gauge for optimum filter control
- Robust A.B.S barrel unions for easy installation and maintenance
- Cylindrical shape provides the most efficient filtration operation
- Long life UV stabilised, filament wound fibreglass tank
- Large media area means better filtration with high efficiency
- Large surface area lateral under drain for high flow and efficient backwashing

