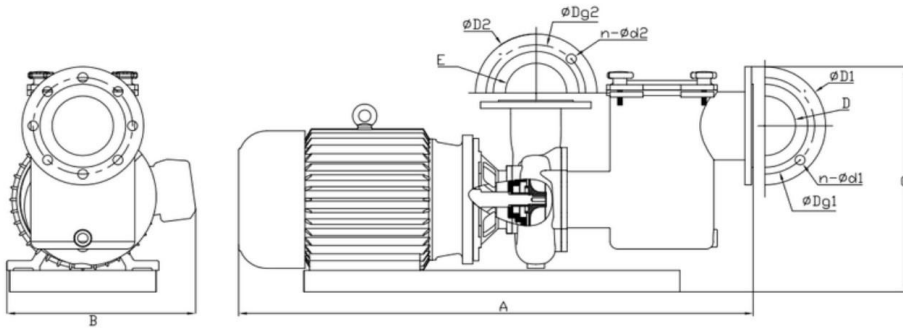
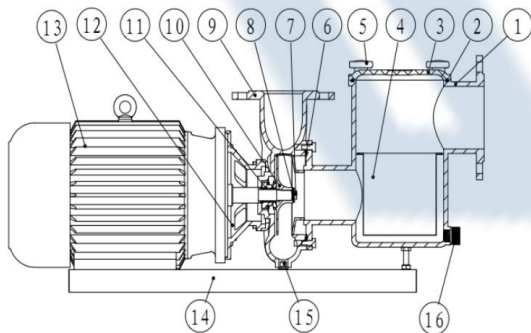


SUCTION PORT FROM POOL
OR VACUUM FILTER



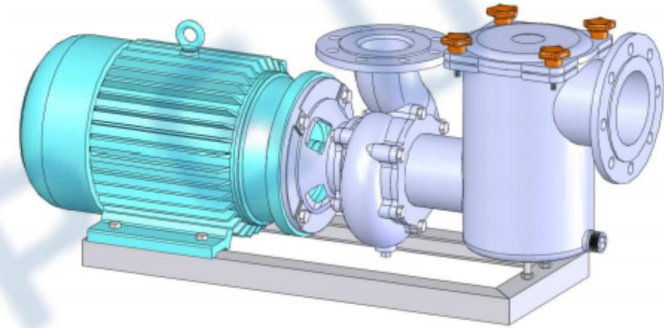
Item No.	Specification	Voltage (V)	Length A(mm)	Width B(mm)	Height C(mm)	Inlet ϕ D(inch)	Outlet ϕ E(inch)	Inlet Flange			Outlet Flange		
								D1	Dg1	n-d1	D2	Dg2	n-d2
CCPBS30	3.0HP	220V	570	200	300	2	2	\	\	\	\	\	\
CCPB30	3.0HP	380V	570	200	300	2	2	\	\	\	\	\	\
CCPB50	5.0HP	380V	730	270	360	3	2 1/2	200	160	8-17.5	185	145	4-17.5
CCPB75	7.5HP	380V	772	270	360	3	2 1/2	200	160	8-17.5	185	145	4-17.5
CCPB100	10HP	380V	940	340	445	4	3	220	180	8-17.5	200	160	8-17.5

PARTS OF PUMP



Key NO.	Description	Qty
1	Filtering Part	1
2	O' ring	1
3	Lid	1
4	Basket	1
5	Hand-tight screw	4
6	O' ring	1
7	Screw Washer	1
8	Seal Gasket	1
9	Pump body	1
10	Water pump impeller	1
11	Mechanical seal	1
12	Support	1
13	Motor	1
14	Support rack	1
15	Drain bolt	1
16	Drain bolt	1

CCPB Series Swimming Pool Pump Installation & Operating Instructions



INSTALLATION

Only qualified, licensed personnel should install pump and wiring.

IMPORTANT ELECTRICAL

Electrical Contractors Please Note: All Pumps must be wired to the main power supply through an approved and correctly rated contactor.

Pump Mount Must:

- ❖ Be solid Level Rigid Vibration Free.
- ❖ Allow use of short, direct suction pipe. (To reduce friction losses & don't install the pump at more than 1M geometrical height from water level)
- ❖ Allow for gate valves in suction and discharge piping.
- ❖ Have adequate floor drainage to prevent flooding.
- ❖ Be protected from excess moisture.
- ❖ All adequate access for servicing pump and piping.

NOTICE:

Pump suction and discharge connections have moulded in thread stops, **DO NOT** try to screw pipe in beyond these stops.

OPERATION



**Hazardous suction.
Can trap hair or
body part, causing
severe injury or
death.**

Do not block
suction.

- ▲ In idles loading, power on the motor instantaneously for 0.5~1 second and validate that the motor rotation direction is consonance with the sign.
- ▲ **NEVER** run pump dry! Running pump dry may damage seals, causing leakage and flooding! Fill pump with water before starting motor.
- ▲ Before removing lid:
STOP PUMP before proceeding.
CLOSE GATE VALVES in suction and discharge pipes.
RELEASE ALL PRESSURE from pump and piping system.
NEVER tighten or loosen screws while pump is operation.
- ▲ Do not block pump suction! To do so with body may cause severe or fatal injury. Small children using pool must **ALWAYS** have close adult Supervision!

Priming Pump:

- ❖ Release all air from filter and piping system: see filter owner manual.
- ❖ In a flooded suction system (water source higher than pump), pump will prime itself when suction and discharge valves are opened.
- ❖ If pump is not in a flooded suction system, unscrew and remove trap cover; fill trap and pump with water.

NOTICE: Pump should prime now. Priming time will depend on vertical length of suction lift and horizontal length of suction piping.

Routine Maintenance

The only routine maintenance needed is inspection/cleaning of trap basket. Debris or trash that collects in basket, will choke off water flow through the pump. Follow instructions below to clean trap:

1. Stop pump, close gate valve in suction and discharge, and release all pressure from system before proceeding.
2. Unscrew trap lid (turn counterclockwise).
3. Remove strainer basket and clean. Be sure all holes in basket are clear, flush basket with water and replace in trap with large opening at pipe connection port (between ribs provided). If basket is replaced backwards cover will not fit on trap body.
4. Clean and inspect lid Ring; reinstall on trap cover.
5. Clean Ring groove on trap body and Replace lid. To help keep lid from sticking, tighten hand tight only.
6. Prime pump (see priming instructions above)

SERVICE & REPAIR PARTS

Refer all service to your local agent or dealer as his knowledge of your equipment makes him the vest qualified source of information. Order all repair parts through your dealer. Give the following information when ordering repair parts:

1. Unit nameplate data or serial number on label.
2. Description of part.

TROUBLE SHOOTING

MOTOR DOES NOT START

1. Disconnect switch or circuit breaker in off position
2. Fuses blown or thermal overload open
3. Locked motor shaft
4. Motor windings burned out
5. Defective starting switch inside singl phase motor
6. Disconnected or defective wiring
7. Low voltage

PUMP DOES NOT REACH FULL SPEED

1. Low voltage
2. Pump connected for wrong voltage

MOTOR OVERHEATS (protector trips)

1. Low voltage
2. Motor windings connected for wrong voltage on dual voltage model
3. Inadequate ventilation

PUMP DELIVERS NO WATER

1. Pump is not primed
2. Closed valve in suction or discharge line
3. Leakage or air into suction system
4. Impeller clogged

LEAKAGE OF WATER AT SHAFT

1. Shaft seal requires replacement

LOW PUMP CAPACITY

1. Valve in suction or discharge line partly closed
2. Suction or discharge line partly plugged
3. Suction or discharge line too small
4. Plugged basket in skimmer or hair and lint strainer
5. Dirty filter
6. Impeller clogged

HIGH PUMP PRESSURE

1. Discharge valve or inlet fittings closed too much
2. Return lines too small
3. Dirty filters

NOISY PUMP AND MOTOR

1. Plugged basket in skimmer or hair in lint strainer
2. Worn motor bearings
3. Valve in suction line partly closed
4. Suction line partly plugged
5. Vacuum hose plugged or too small
6. Pump not supported properly

AIR BUBBLES AT INLET FITTINGS

1. Leakage of air into suction line at connections or valve stem
2. Cover gasket of hair and lint strainer needs cleaning
3. Low water level in pool

NOTE: If the recommendations in the trouble shooting portion of this manual do not solve your particular problem(s), please contact your local dealer for service.