

AKP Series Pump

Professional Swimming
Pool Circulating Water Pump

Quality Selection of Swimming Pool Water Treatment Equipment



Pool & Spa Equipment

Product Features

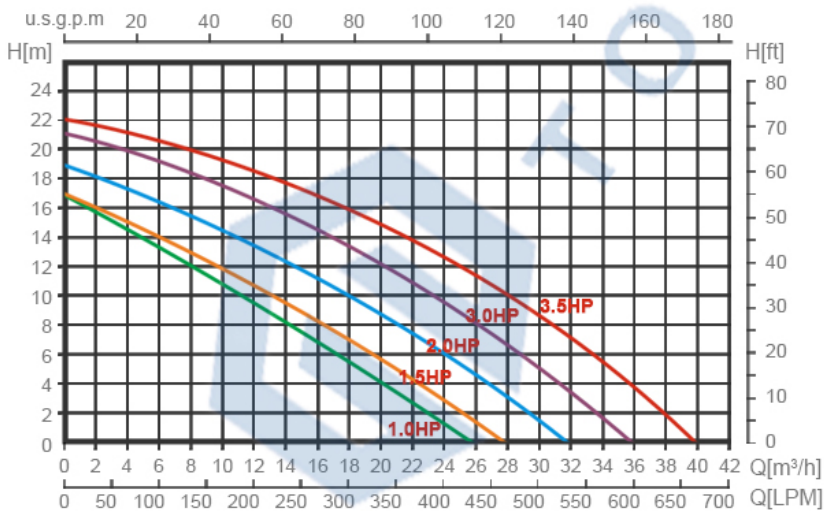
- 1) Akp is designed according to the principles of hydraulics.
- 2) Its motor is with external ventilation design, and the winding design is advanced.
- 3) Built-in thermal protection and Overload protection.
- 4) IPX5 Waterproof standard.
- 5) Special designed unions compatible for both imperial and metric measurement standards.
- 6) Liquids part is made of high reinforce engineering plastic which is durable.
- 7) The strainer with high capacity helps reducing the cleaning work.
- 8) Ring lock seal design eliminates suction leaks and maximizes suction efficiency.
- 9) Testing pressure 50 PSI (3.5 Bar).
- 10) Applicable to : swimming pool, industrial water, oceans pavilion, water park, etc.



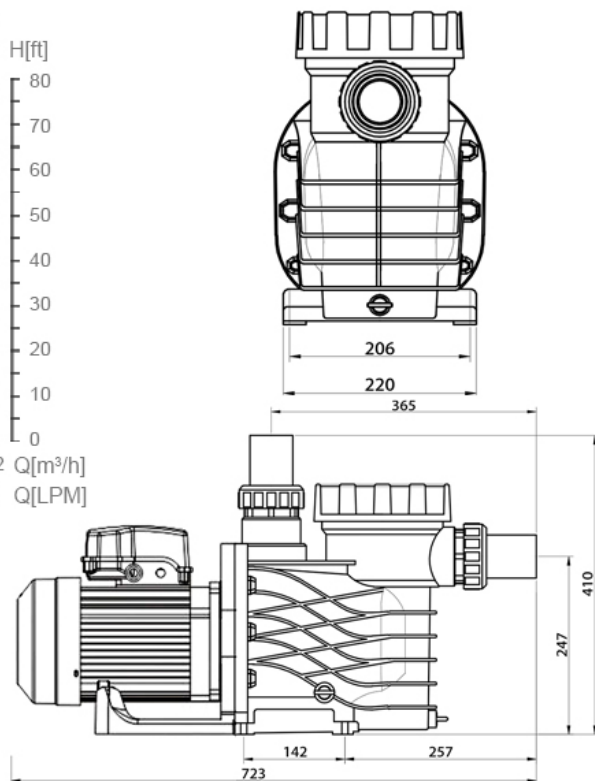
A High-Performing Self-Priming Pump



Technical Information



Product Dimensions (mm)



Model	Power (KW/HP)	Current (AMP)	Noise (dB)	RPM	Performance Parameter					Package (mm)	
					Flow rate (m³/h)	Lift (m)	Inlet (inch)	Outlet (inch)	N.W.		G.W.
AKP-100	0.75/1.0	5.2	68	2850	25	17	2"	2"	19	21	715*305*440
AKP-150	1.1/1.5	6.4	70	2850	28	17	2"	2"	20	22	715*305*440
AKP-200	1.5/2.0	7.6	75	2850	32	19	2"	2"	20	22	715*305*440
AKP-300	2.2/3.0	9.8	78	2850	36	21	2"	2"	22	24	715*305*440
AKP-350	2.6/3.5	10.5	80	2850	40	22	2"	2"	24	26	715*305*440