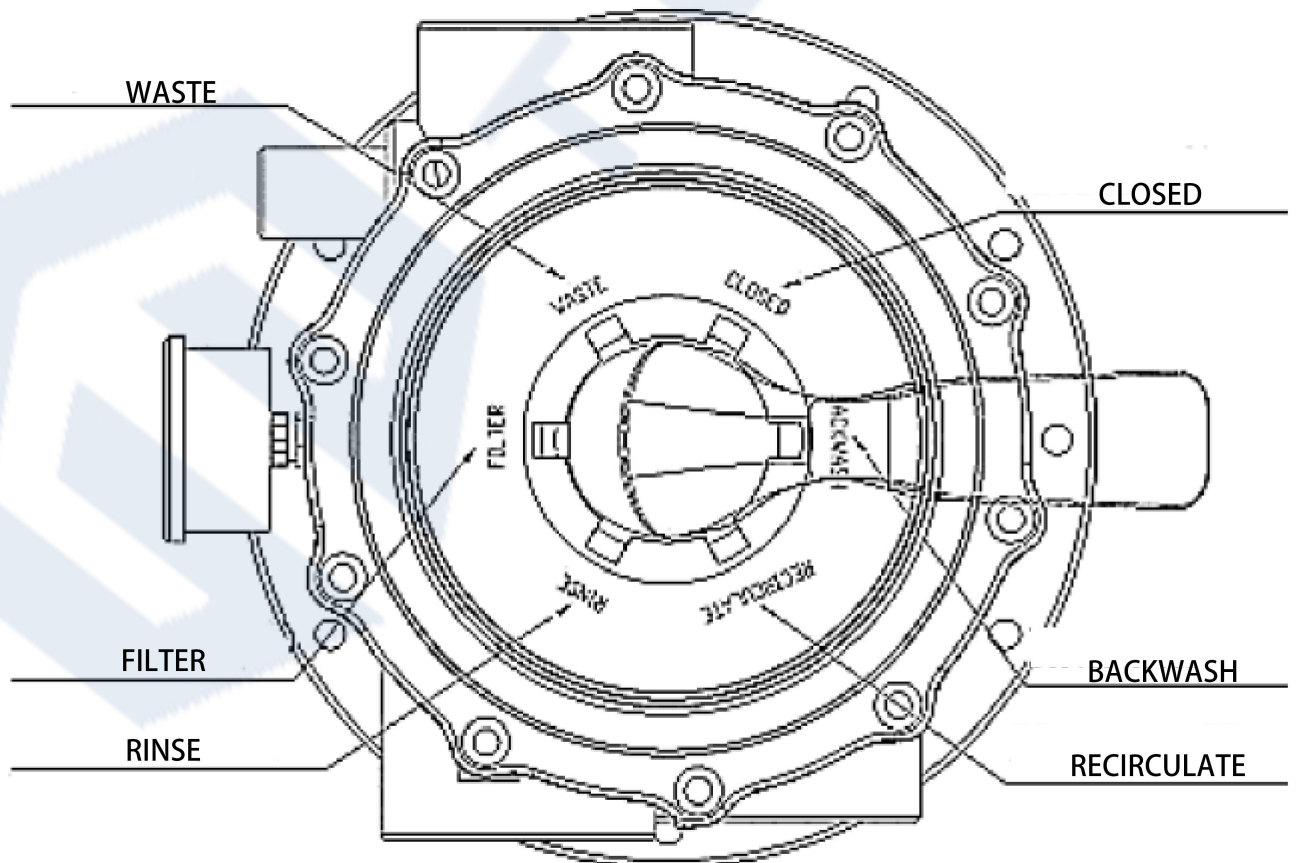
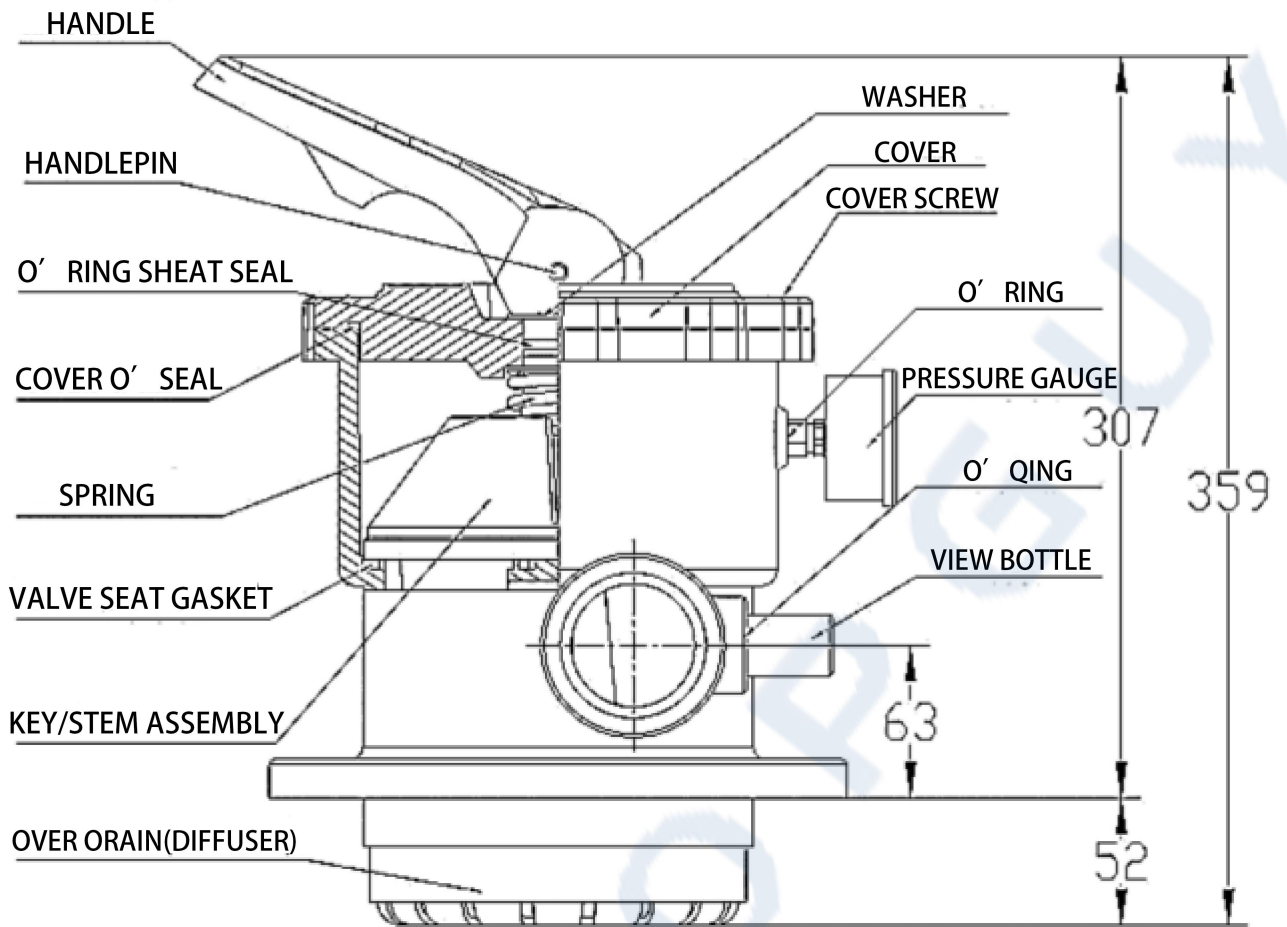
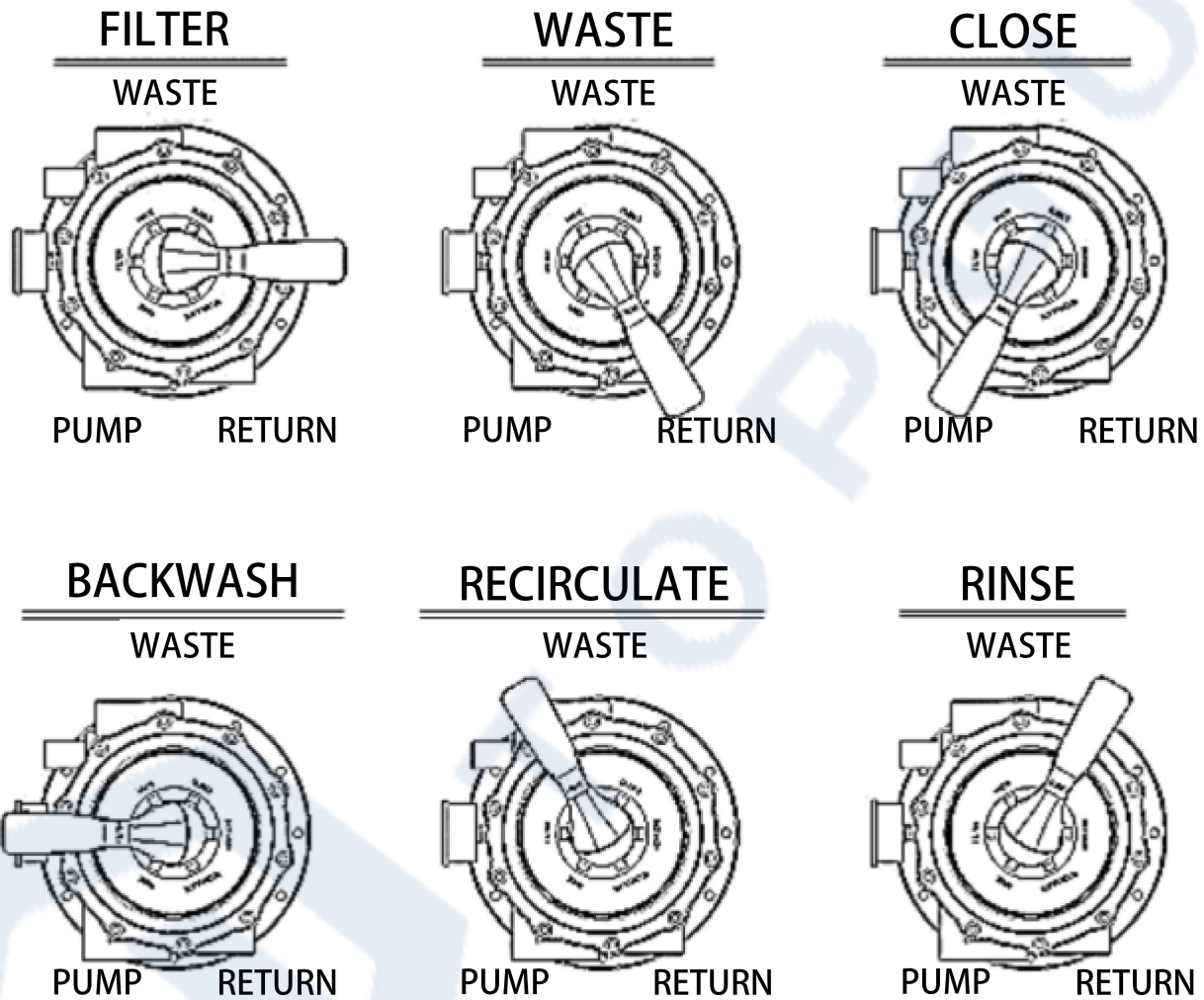


2" Top-Mount Multiport Valve



FUNCTIONS OF VALVE POSITIONS

Valve Position	Function
FILTER	Normal Filtration and Vacuuming
BACKWASH	Cleaning Filter by reversing the flow
RINSE	Used after backwash to flush valve
WASTE	By-passes filter, used for vacuuming waster or lowering water level
RECIRCULATE	By-passes filter for circulating water to pool
CLOSED	Shuts off all flow to filter or pool



GENERAL :

1. Pipe tapboss provided for optional influent pressure gauge.
2. Piping stops are provided to prevent over-tightening. Always use Teflon pipe tape for connections to provide a good, " living " Seal. Add extra sealant if male pipe fitting is undersized
3. **SERVICING VALVE.** If it becomes necessary to service or gain access top the key or valve seat gasket:
 - a. Set handle in filter position.
 - b. Remove cover screws.
 - c. Lift cover and key assembly out.

TO ASSEMBLE :

- d. Place valve key so that wedge opening is at TOP port (handle in Filter psn.). Flat edge of cover screw lug should align With flat edge of body screw lug.
- e. Position cover O'Ring.
- f. Secure assembly to body with cover screws. Tighten cover screws evenly and alternately. Do not Over-tighten.